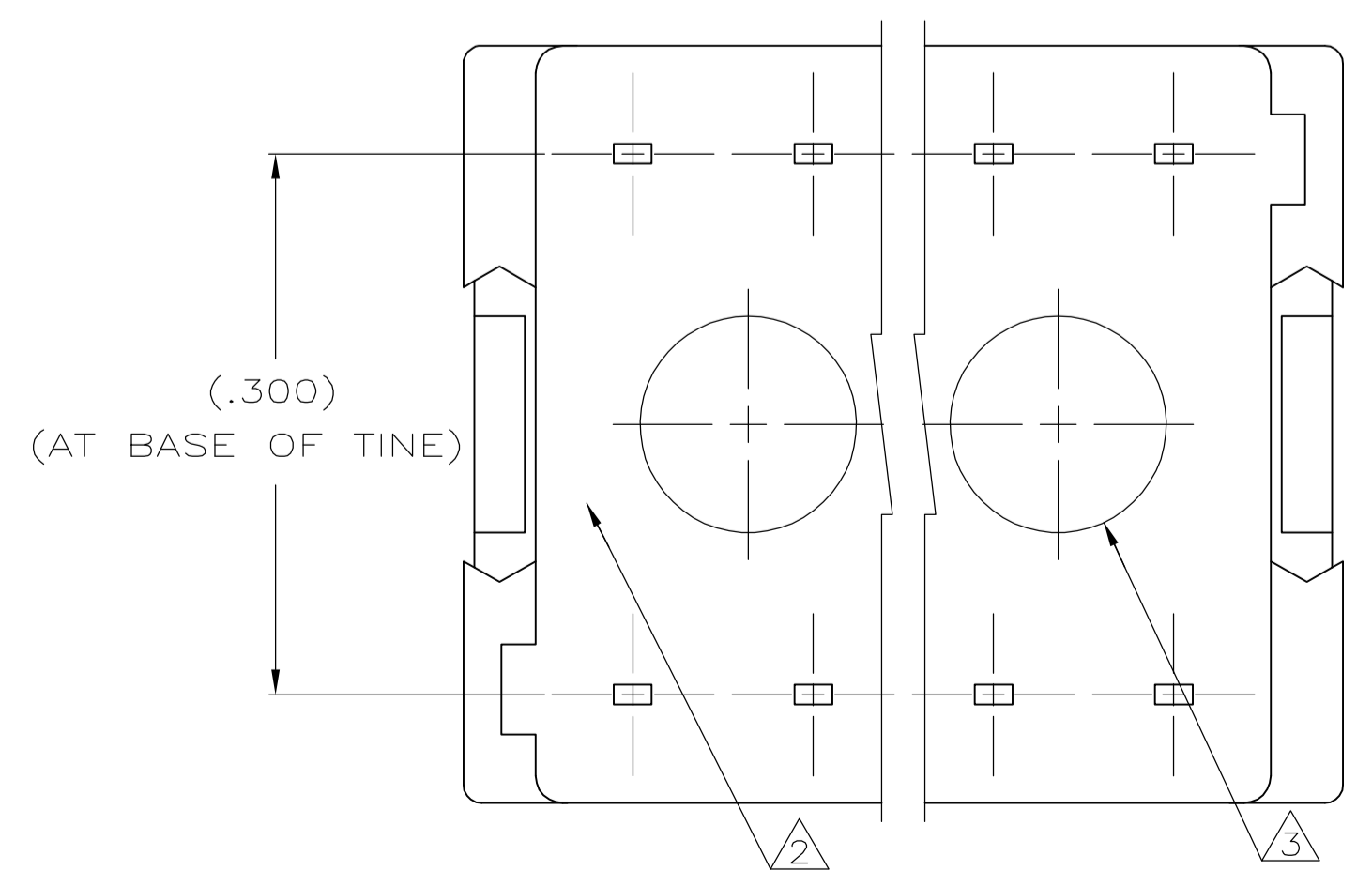
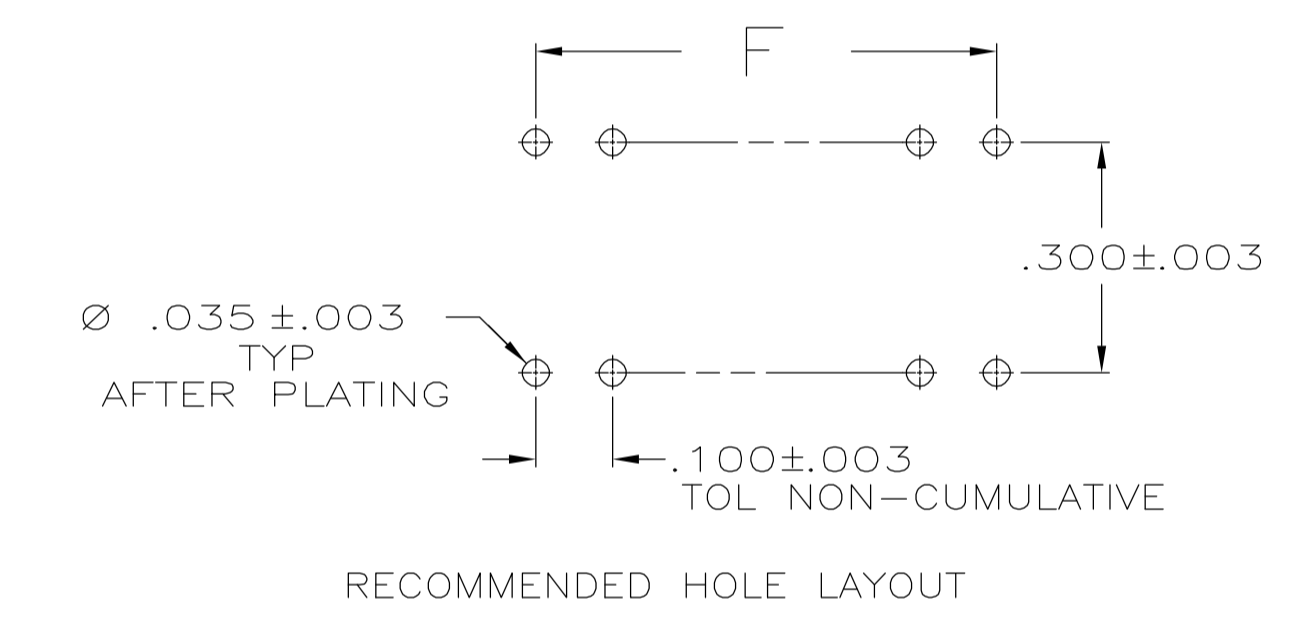
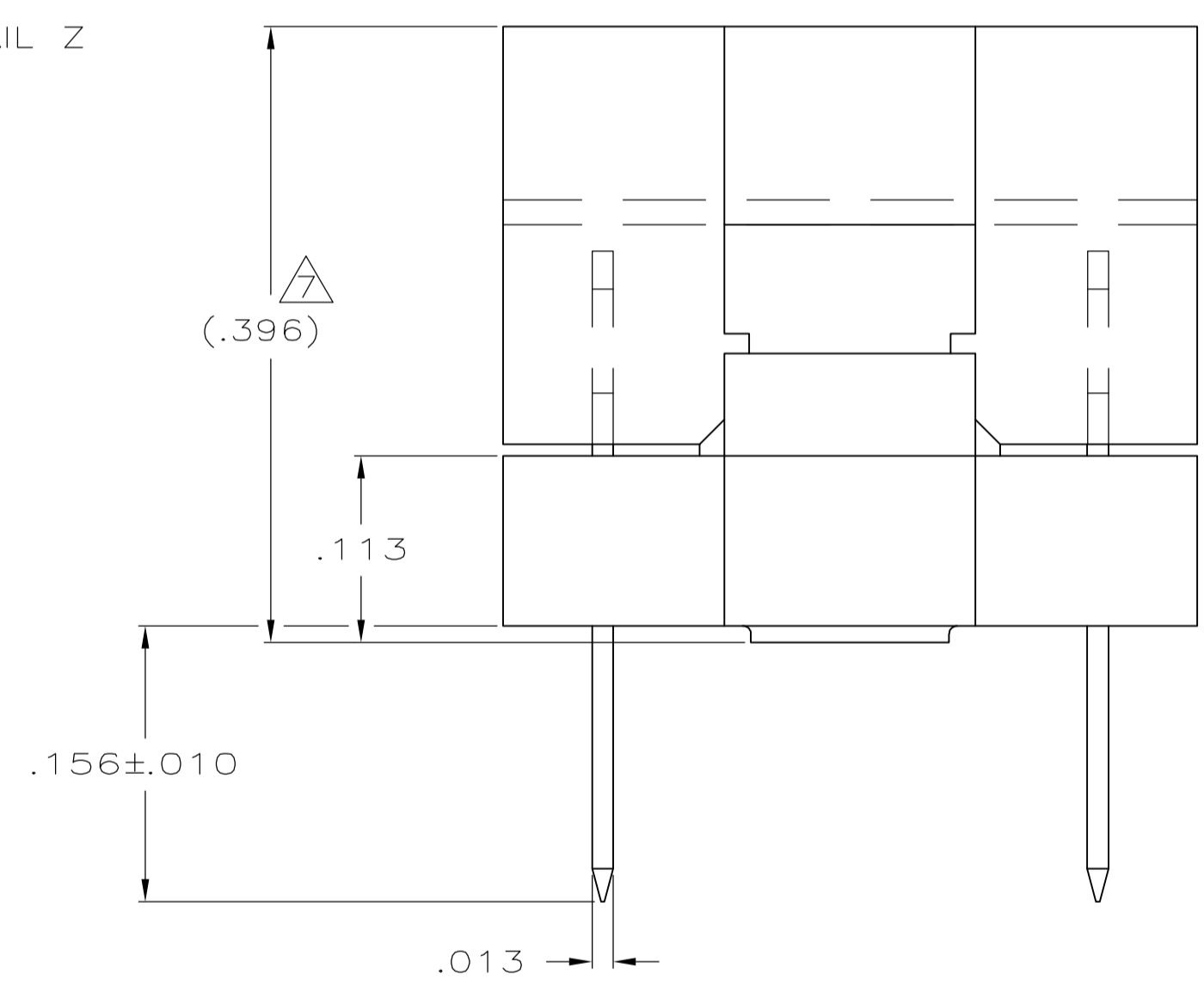
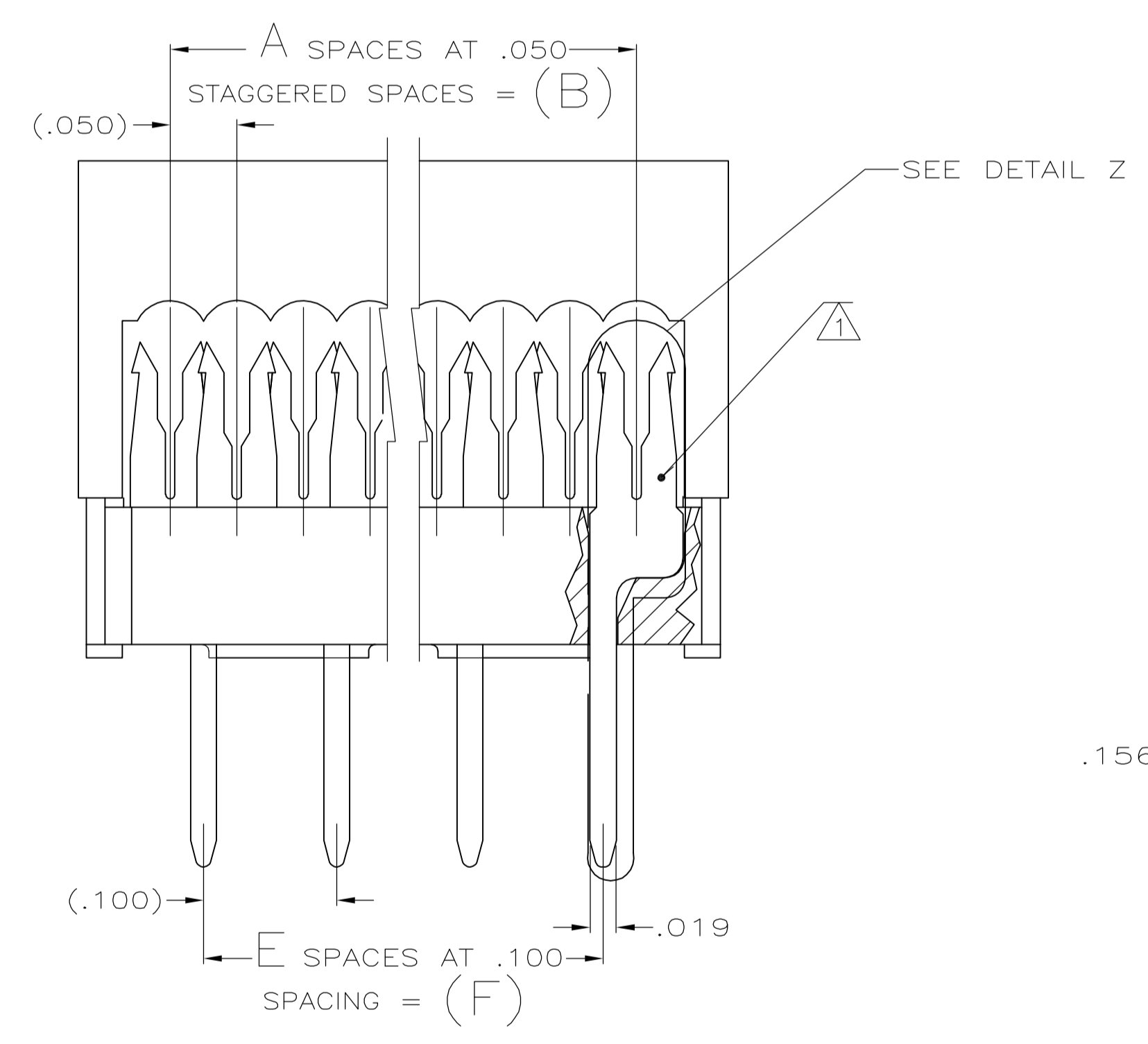
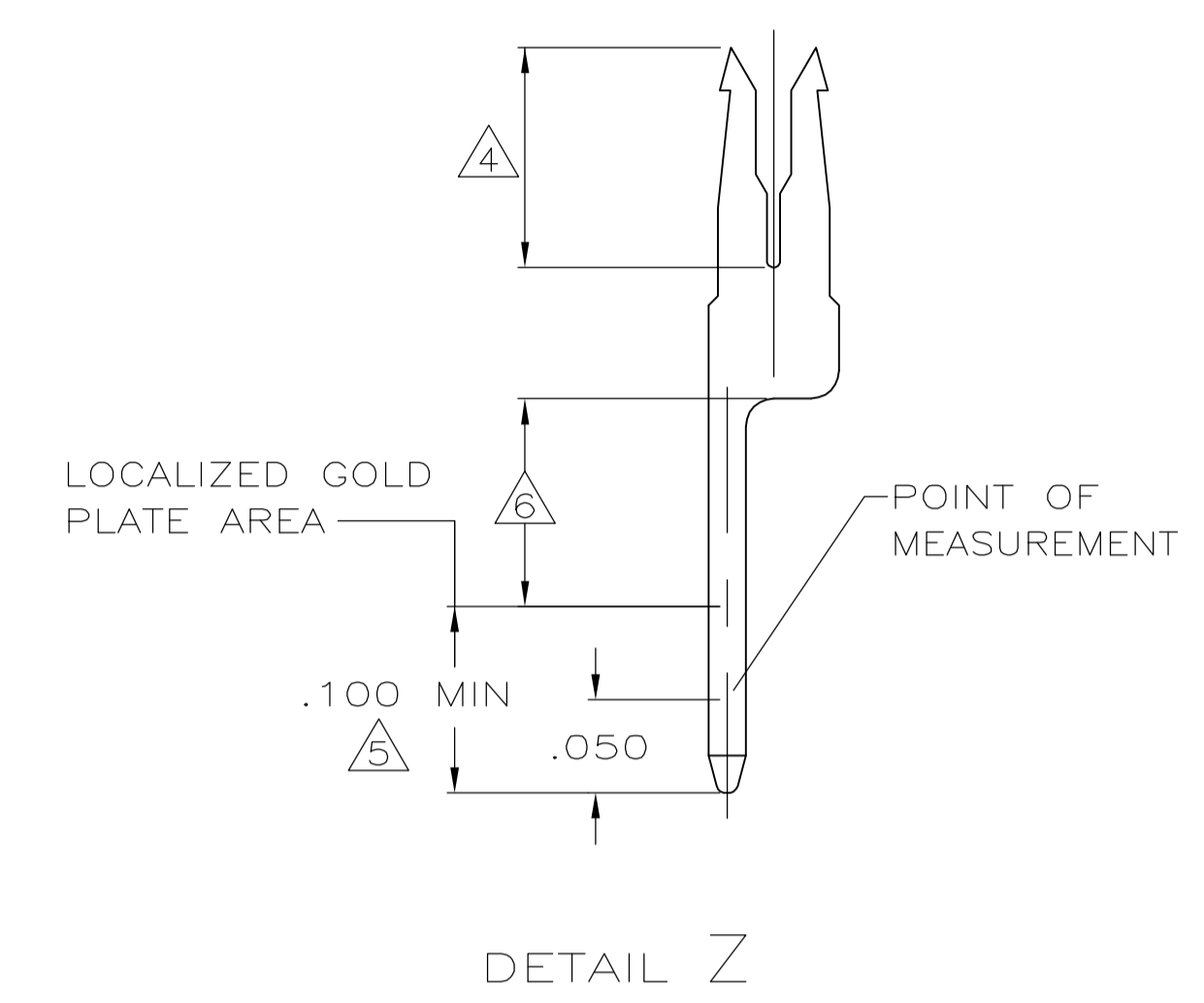
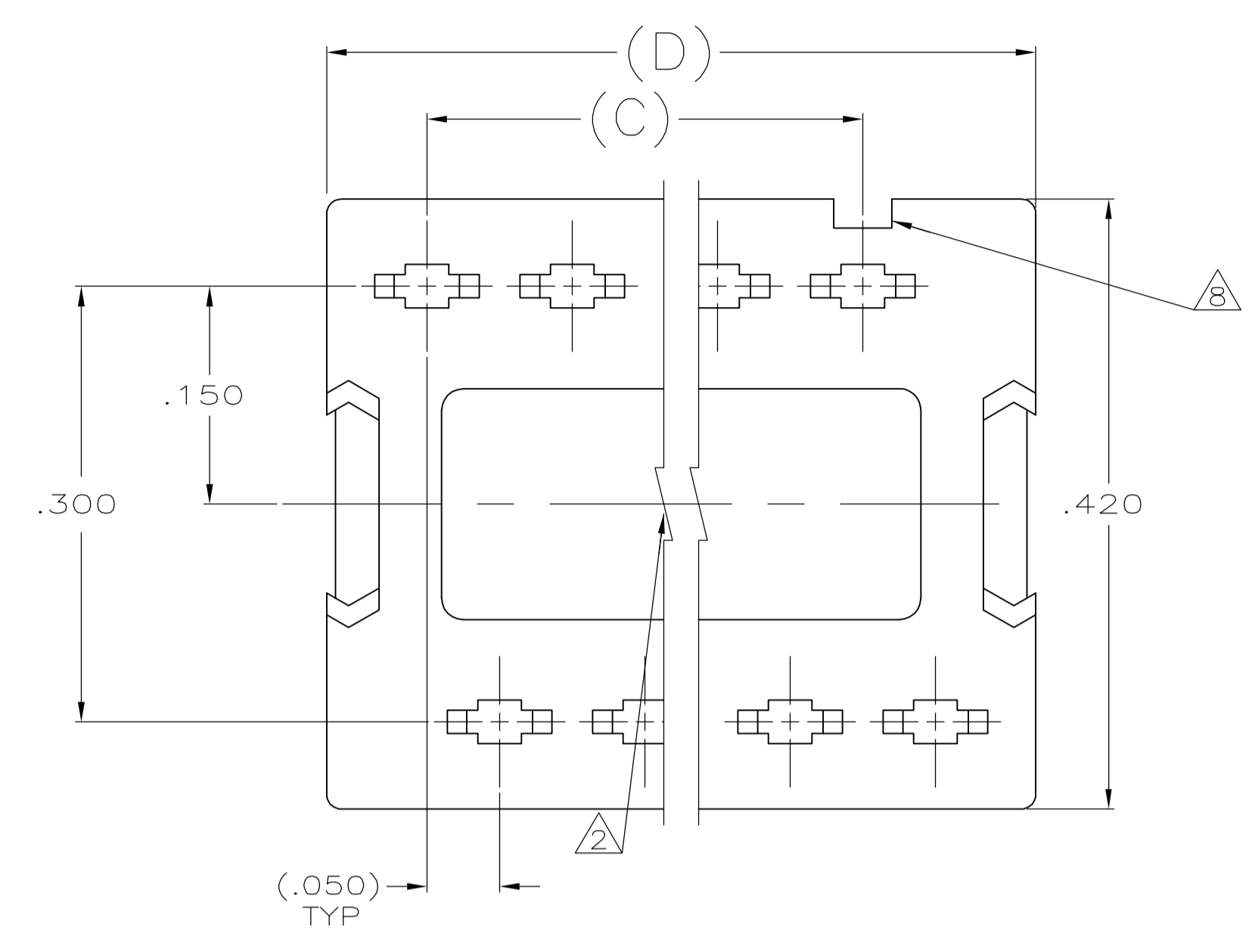


- ① CONTACTS DESIGNED FOR 28 AWG STRANDED OR 26,28, & 30 AWG SOLID WIRE.
- ② AMP TRADEMARK LOCATED IN APPROX AREA SHOWN.
- ③ STANDOFFS: POSN 8 (2) STANDOFFS AS SHOWN. POSN 14-18 (3) STANDOFFS, (1) CENTERED BETWEEN (2) SHOWN
- ④ PLATED WITH .000005 MIN GOLD IN IDC AREA OVER .000050 MIN NICKEL.
- ⑤ PLATED WITH .000015 GOLD OVER .000050 NICKEL.
- ⑥ GOLD FLASH OVER .000050 NICKEL.
- ⑦ HEIGHT AFTER TERMINATION IS (.253).
- ⑧ INDICATES NO 1 POSITION.
- ⑨ MOLDED PARTS: THERMOPLASTIC, 94V-0 RATED, BLACK. CONTACTS: PHOSPHOR BRONZE.



.700	7	.888	.700	.750	15	16	5746612-3
.600	6	.788	.600	.650	13	14	5746612-2
F	E	D	C	B	A	NO OF POSN	PART NUMBER
THIS DRAWING IS A CONTROLLED DOCUMENT.							
DIMENSIONS: INCHES		TOLERANCES UNLESS OTHERWISE SPECIFIED:		APVD: M. WALMSLEY 11-29-04		NAME: Tyco Electronics Corporation Harrisburg, PA 17105-3608	
0 PLC	± -	1 PLC	± -	PRODUCT SPEC: 108-40013		KIT, DIP PLUG, PREASSEMBLED, .100 X .300, 15 GOLD DUPLEX CONTACTS, AMP-LATCH	
2 PLC	± -	3 PLC	± .005	APPLICATION SPEC: 114-40005		SIZE: A1	
4 PLC	± -	ANGLES	± -	WEIGHT: -		DRAWING NO: 00779	
MATERIAL: ⑨		FINISH: ④⑤⑥		CUSTOMER DRAWING		SCALE: 10:1 SHEET: 1 OF 1 REV: A	